

ATON

LEVELLING BLADE

ISKUR

LEVELLING GRADER

KER

SCRAPER



INTERNATIONAL
GASCON  **®**

AGRICULTURAL MACHINERY ENGINEERING

EN

ATON

HYDRAULIC LEVELLING BLADE

ATON is a versatile and multi function machine: ideal for agricultural, forestry and civil use.

It cleans roads, levels agricultural soil and canalises water.

It can be used as a snow blower, where professional snow blowers cannot arrive.

The working width is between: 1,70 meters and 3,00 meters.

Standard equipment:

- Frame with 3° point - fully reinforced and adjustable in height.

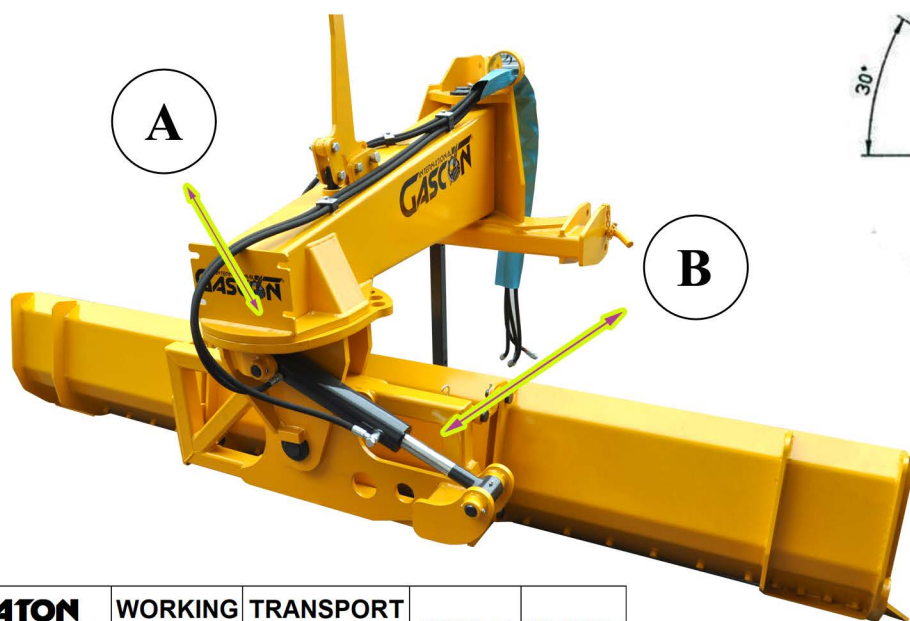
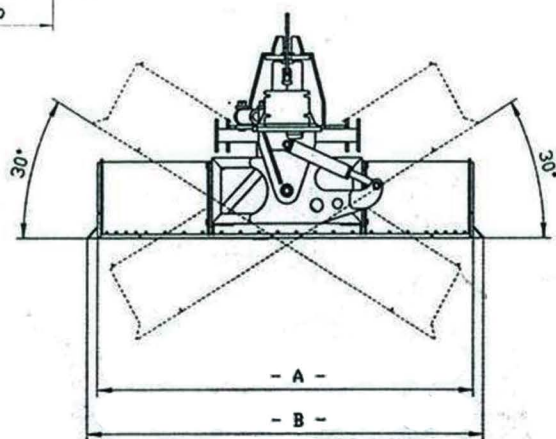
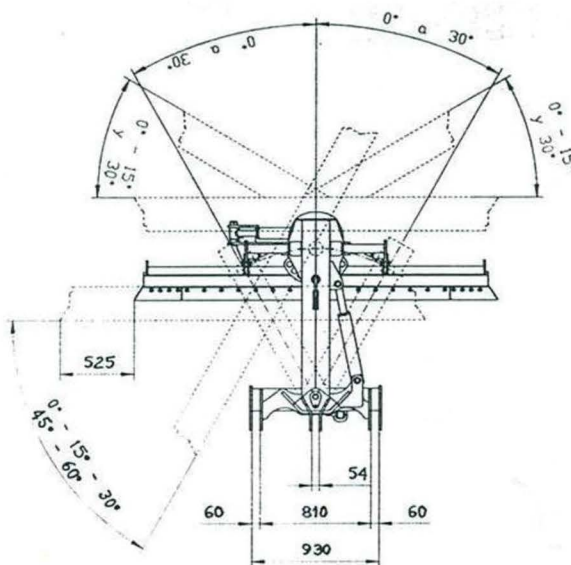
• Mechanical movement:

A) 360° swivel blade

- Hydraulic system with two cylinders and two **hydraulic functions**:

B) blade inclination

C) Lateral displacement of the blade



ATON MODEL	WORKING WIDTH	TRANSPORT WIDTH	POWER	WEIGHT
PLH	M. ≈	mm.	CV/HP ≈	Kg. ≈
PLH170	1700	1830	60-70	590
PLH200	2000	2130	70-80	620
PLH215	2150	2280	80-90	630
PLH250	2500	2630	90-100	650
PLH300	3000	3130	110-140	680

≈ Approximately /PL= Polidozer / H= Hydraulic

Blade function: Hydraulic
Blade: Reversible at 360°
Angle (frame/blade): +/- 30°
Height of blade: 470 mm.
Clearance: 600 mm.
Cat.: II

ISKUR

LEVELLING GRADER



ISKUR is a versatile and multi functions machine.

Ideal for agricultural, forestry and public works.

It can be used on agricultural soil, for the edges of the fields, for the development of carriages, for sports areas or for industrial warehouses.

STANDARD EQUIPMENT:

MOUNTED model: 3rd point hitch

TRAILED model: transport wheels (2)

Working width:

from 1.90 meters to 4.00 meters.

All models:

- Frame (thickness): 6 mm.
- Blade height: 650 mm.



OPTIONS:

TRAILED model (with wheels):

- Hydraulic bar: to be coupled to tractor's fix draw bar in order to lift the machine.
- Kit 2 additional transport wheels.

MOUNTED model (without wheels):

- Double hook to 3rd point hitch (Push and pull functions).

All models:

- Reinforced frame: thickness 8 mm.
- Warning lights.

ISKUR MODEL	WORKING WIDTH	TRANSPORT WIDTH	BLADE HEIGH	TYRES	POWER	WEIGHT
RF-RFS	M. ≈	mm.	mm.		CV/HP ≈	Kg. ≈
RF1900	1,90	1900	650	235/75-R15"	50-80	450
RF2500	2,50	2500	650	235/75-R15"	60-100	500
RF3000	3,00	3000	650	235/75-R15"	80-120	550
RF3500	3,50	3500	650	235/75-R15"	100-140	600
RF4000	4,00	4000	650	235/75-R15"	110-150	650

≈ Approximate / RF=Trailed levelling grader / RFS= Mounted levelling grader

HYDRAULIC SCRAPER



KER scrapers are ideal for use in vineyards and orchards.

They have been designed to achieve maximum performance with minimal effort.

Large capacity to move large amounts of land in any type of soil and cultivation.

They collect earth in the areas where it exceeds and carry it where it is missing or has slipped away.

Simplified mechanism that does not require any constant maintenance.

The door is synchronized for opening, depending on the needs of the labour.

STANDARD EQUIPMENT:

Mechanic emptying hydraulically operated.

OPTIONAL: hydraulic emptying



KER MODEL	LABOUR CUTTING	TRANSPORT WIDTH	CAPACITY	CATEGORY	TYRES	POWER	WEIGHT
TS	M. ≈	mm.	m ³			CV/HP ≈	Kg. ≈
TS 5	1,00	1200	0,50	I	4.00 R8	30-40	300
TS 8	1,40	1600	0,80	I-II	6.00 R9	45-55	500

≈ Approximate / TS= Mounted scrapers

WITHOUT AFFECTING THE USE AND ORIGINAL FUNCTIONS, HEREDEROS DE MANUEL GASCON S.L. HAS THE RIGHT TO MAKE CHANGES THAT ARE DEEMED NECESSARY FOR THE BEST OPERATION OF THE EQUIPMENT TO BE SUPPLIED.

H.M.G. Herederos de Manuel Gascon S.L.
 P.I. Monzú, C/Gibraltar nº51 - 22006 Huesca (Spain)
 Tel. +34-974-21 87 20
 @: info@gasconinternational.com
 www.gasconinternational.com

Gascón International Offices [BARCELONA]
 Mob. +34 - 689 823 051 [Malgari Lagrasta]
 @.: export@gasconinternational.com
 Skype: Gascon.Export
 You Tube Gascon International

Vrs.2021

DEALER